



EN

Transport systems

Trolley Y
Trolley 35-6

099-008822-EW501

Observe additional system documents!

05.06.2018

**Register now
and benefit!
Jetzt Registrieren
und Profitieren!**

www.ewm-group.com



General instructions

WARNING



Read the operating instructions!

The operating instructions provide an introduction to the safe use of the products.

- Read and observe the operating instructions for all system components, especially the safety instructions and warning notices!
- Observe the accident prevention regulations and any regional regulations!
- The operating instructions must be kept at the location where the machine is operated.
- Safety and warning labels on the machine indicate any possible risks. Keep these labels clean and legible at all times.
- The machine has been constructed to state-of-the-art standards in line with any applicable regulations and industrial standards. Only trained personnel may operate, service and repair the machine.
- Technical changes due to further development in machine technology may lead to a differing welding behaviour.



In the event of queries on installation, commissioning, operation or special conditions at the installation site, or on usage, please contact your sales partner or our customer service department on +49 2680 181-0.

A list of authorised sales partners can be found at www.ewm-group.com/en/specialist-dealers.

Liability relating to the operation of this equipment is restricted solely to the function of the equipment. No other form of liability, regardless of type, shall be accepted. This exclusion of liability shall be deemed accepted by the user on commissioning the equipment.

The manufacturer is unable to monitor whether or not these instructions or the conditions and methods are observed during installation, operation, usage and maintenance of the equipment.

An incorrectly performed installation can result in material damage and injure persons as a result. For this reason, we do not accept any responsibility or liability for losses, damages or costs arising from incorrect installation, improper operation or incorrect usage and maintenance or any actions connected to this in any way.

© EWM AG

Dr. Günter-Henle-Strasse 8

56271 Mündersbach Germany

Tel.: +49 2680 181-0, Fax: -244

Email: info@ewm-group.com

www.ewm-group.com

The copyright to this document remains the property of the manufacturer.

Copying, including extracts, only permitted with written approval.

The content of this document has been prepared and reviewed with all reasonable care. The information provided is subject to change; errors excepted.

1 Contents

1	Contents	3
2	For your safety	4
2.1	Notes on the use of these operating instructions	4
2.2	Explanation of icons.....	5
2.3	Part of the complete documentation	6
3	Intended use	7
3.1	Applications.....	7
3.2	Use and operation solely with the following machines	7
4	Machine description – quick overview	8
4.1	Front view / side view from the right	8
4.2	Rear view	9
5	Design and function	10
5.1	Transport and installation	10
5.1.1	Craning principle.....	10
5.1.2	Securing the equipment	11
5.1.2.1	Welding machine.....	11
5.1.2.2	Wire feed unit.....	17
5.1.3	Intermediate hose package strain relief	19
5.1.4	Hose package holder	20
5.1.4.1	Winding the welding torch hose package	20
5.1.4.2	Winding the intermediate hose package.....	21
5.2	Using the transport system	21
6	Maintenance, care and disposal	23
6.1	General	23
6.1.1	Cleaning	23
6.1.2	Dirt filter	23
6.2	Maintenance work, intervals	24
6.2.1	Daily maintenance tasks	24
6.2.2	Monthly maintenance tasks.....	24
6.2.3	Annual test (inspection and testing during operation)	24
6.3	Disposing of equipment	25
7	Technical data	26
7.1	Trolley Y / Trolley 35-6.....	26
8	Appendix A	27
8.1	Searching for a dealer	27

2 For your safety

2.1 Notes on the use of these operating instructions

DANGER

Working or operating procedures which must be closely observed to prevent imminent serious and even fatal injuries.

- Safety notes include the "DANGER" keyword in the heading with a general warning symbol.
- The hazard is also highlighted using a symbol on the edge of the page.

WARNING

Working or operating procedures which must be closely observed to prevent serious and even fatal injuries.

- Safety notes include the "WARNING" keyword in the heading with a general warning symbol.
- The hazard is also highlighted using a symbol in the page margin.

CAUTION

Working or operating procedures which must be closely observed to prevent possible minor personal injury.

- The safety information includes the "CAUTION" keyword in its heading with a general warning symbol.
- The risk is explained using a symbol on the edge of the page.



Technical aspects which the user must observe to avoid material or equipment damage.

Instructions and lists detailing step-by-step actions for given situations can be recognised via bullet points, e.g.:


- Insert the welding current lead socket into the relevant socket and lock.

2.2 Explanation of icons

Symbol	Description
	Indicates technical aspects which the user must observe.
	Switch off machine
	Switch on machine
	Incorrect / Invalid
	Correct / Valid
	Input
	Navigation
	Output
	Time representation (e.g.: wait 4 s / actuate)
	Interruption in the menu display (other setting options possible)
	Tool not required/do not use
	Tool required/use

Symbol	Description
	Activate and release / Tap / Tip
	Release
	Press and hold
	Switch
	Turn
	Numerical value – adjustable
	Signal light lights up in green
	Signal light flashes green
	Signal light lights up in red
	Signal light flashes red

2.3 Part of the complete documentation

 **These operating instructions are part of the complete documentation and valid only in combination with all other parts of these instructions! Read and observe the operating instructions for all system components, especially the safety instructions!**

The illustration shows a general example of a welding system.

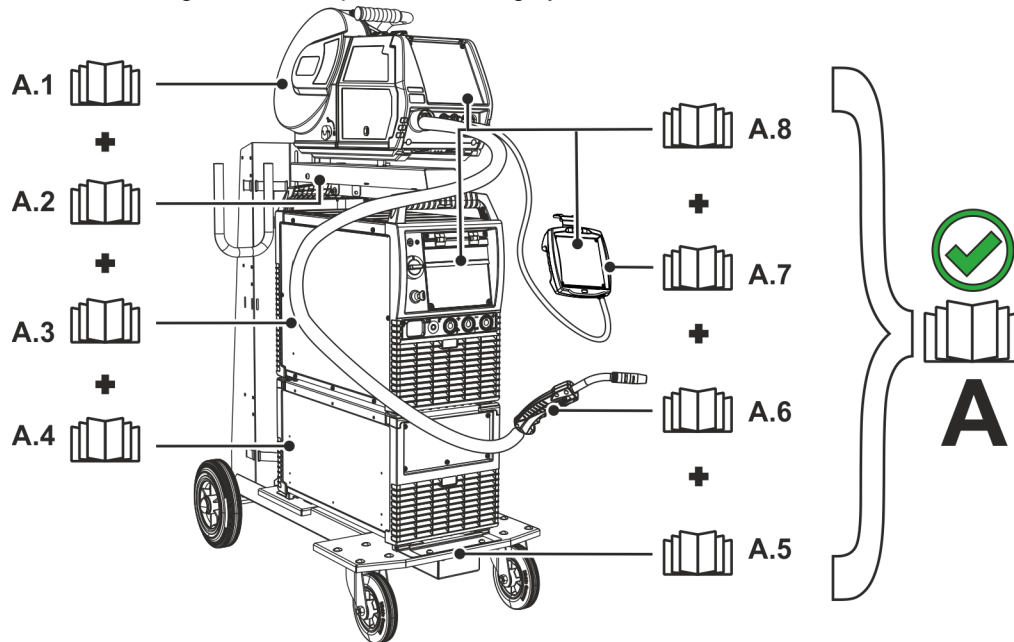


Figure 2-1

Item	Documentation
A.1	Wire feeder
A.2	Conversion instructions
A.3	Power source
A.4	Cooling unit, voltage converter, tool box etc.
A.5	Trolley
A.6	Welding torch
A.7	Remote control
A.8	Control
A	Complete documentation

3 Intended use

WARNING



Hazards due to improper usage!

The machine has been constructed to the state of the art and any regulations and standards applicable for use in industry and trade. It may only be used for the welding procedures indicated at the rating plate. Hazards may arise for persons, animals and material objects if the equipment is not used correctly. No liability is accepted for any damages arising from improper usage!

- The equipment must only be used in line with its designated purpose and by trained or expert personnel!
- Do not improperly modify or convert the equipment!

3.1 Applications

For transporting arc welding machines and wire feeders.

3.2 Use and operation solely with the following machines

Wire feed unit

- drive 4 IC Basic D200
- drive 200C
- drive 4X
- Drive 4X

Welding machine

- Taurus 355 / 405 / 505 TDM
- Phoenix 355 / 405 / 505 TDM

4 Machine description – quick overview

4.1 Front view / side view from the right

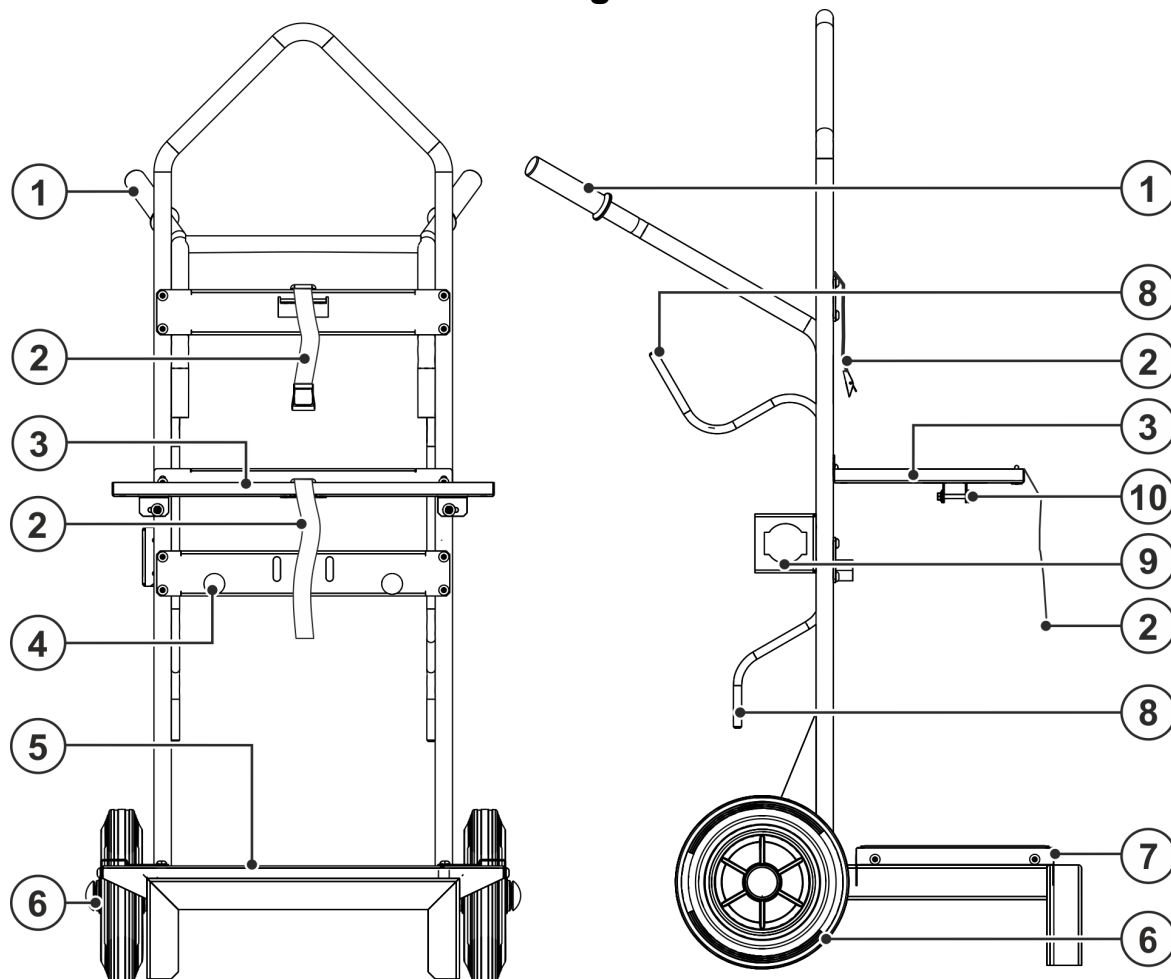


Figure 4-1

Item	Symbol	Description
1		Carrying handle
2		Clamping belt
3		Machine support Holder of the wire feeder.
4		Buffer
5		Machine carrier plate To support the welding machine.
6		Transport wheel
7		Machine mounting attachment
8		Bracket for cables and hoses (opposite mounting)
9		Intermediate hose package strain relief
10		Screw connection Cylinder head bolt + Fender washer + Hexagonal nut

4.2 Rear view

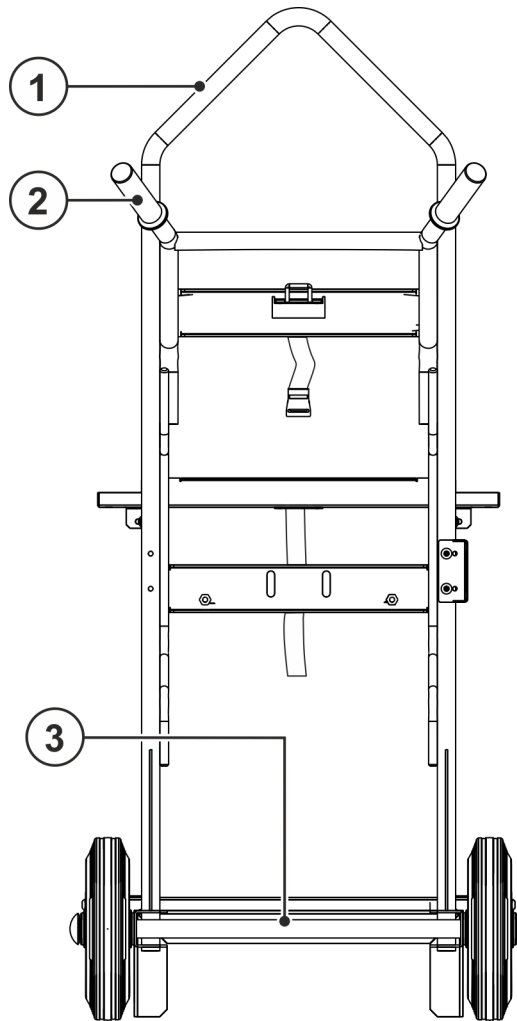


Figure 4-2

Item	Symbol	Description
1		Bracket for lifting by crane
2		Carrying handle
3		Foot bar

5 Design and function

5.1 Transport and installation

⚠ WARNING



Risk of injury during lifting by crane!

When lifting the unit by crane there is a risk of serious injuries due to the units or add-on modules falling down!

- Observe the lifting principle (see Fig.)!
- Use shackles and lifting hooks of the appropriate size!
- Do not lift any other loads at the same time!
- Avoid jerky movements when raising or lowering!

⚠ CAUTION



Improperly secured equipment!

Equipment, equipment combinations and accessories incorrectly fastened onto transport systems can tip over during transport and cause injuries!

- Only used the original parts supplied to fasten the equipment.
- Use the systems only for transporting the machines > see 3.2 chapter.
- Check the fixing points before each transport and at regular intervals.

5.1.1 Craning principle

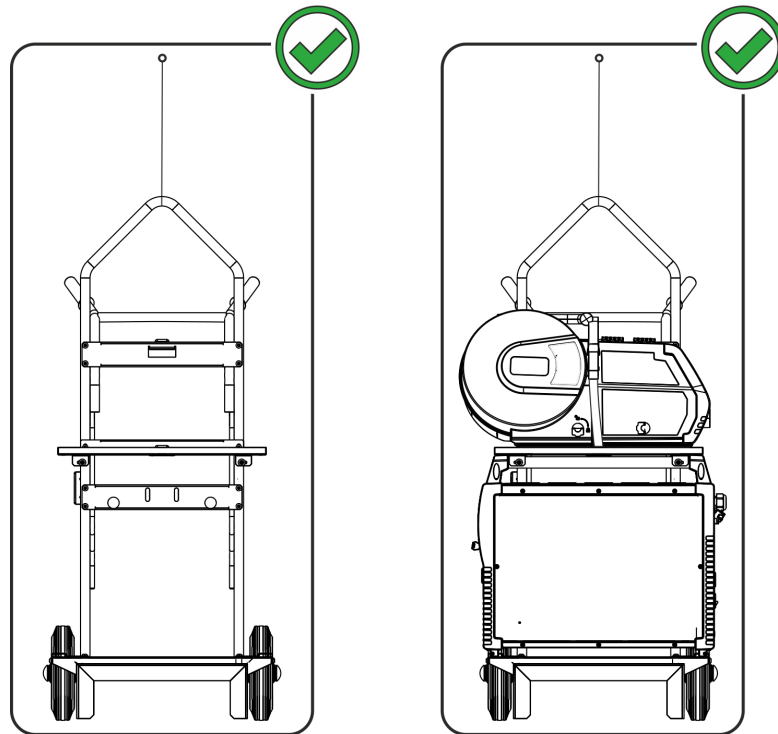


Figure 5-1

5.1.2 Securing the equipment

5.1.2.1 Welding machine

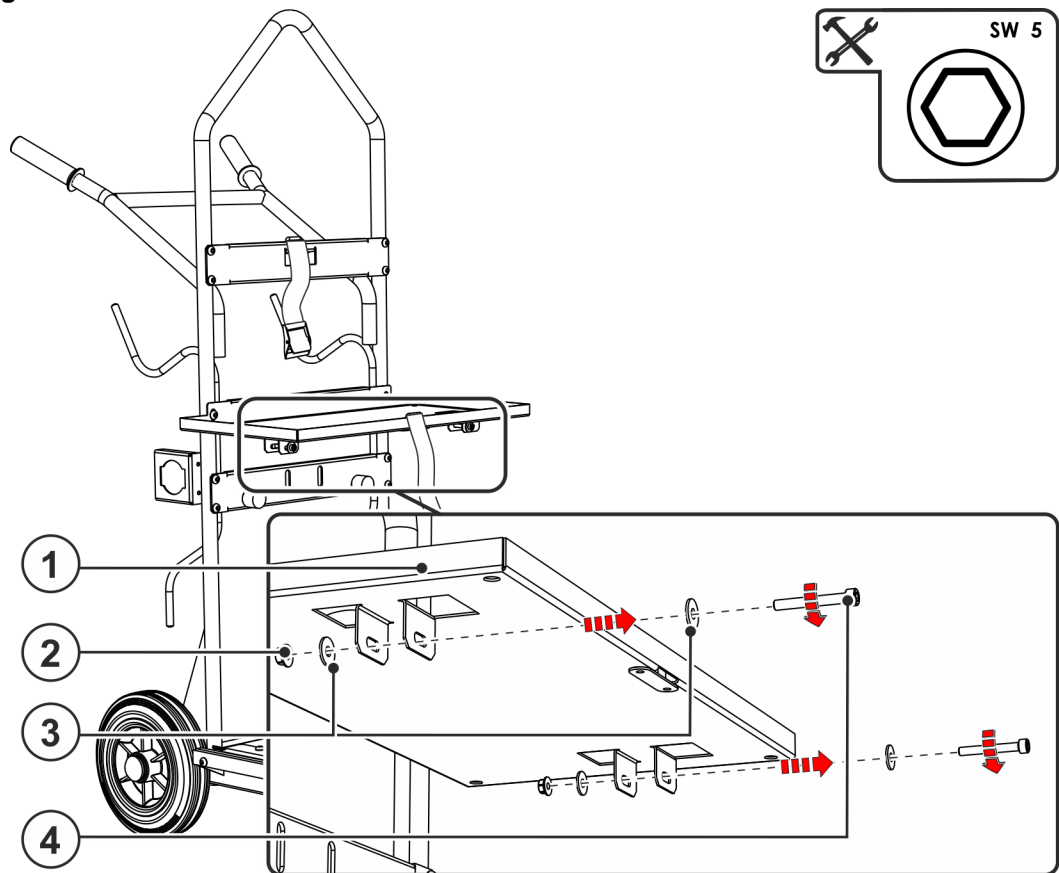


Figure 5-2

Item	Symbol	Description
1		Machine support Holder of the wire feeder.
2		Hexagon nut
3		Plain washer
4		Allen screw

- Remove fastening material from the wire feeder machine support.

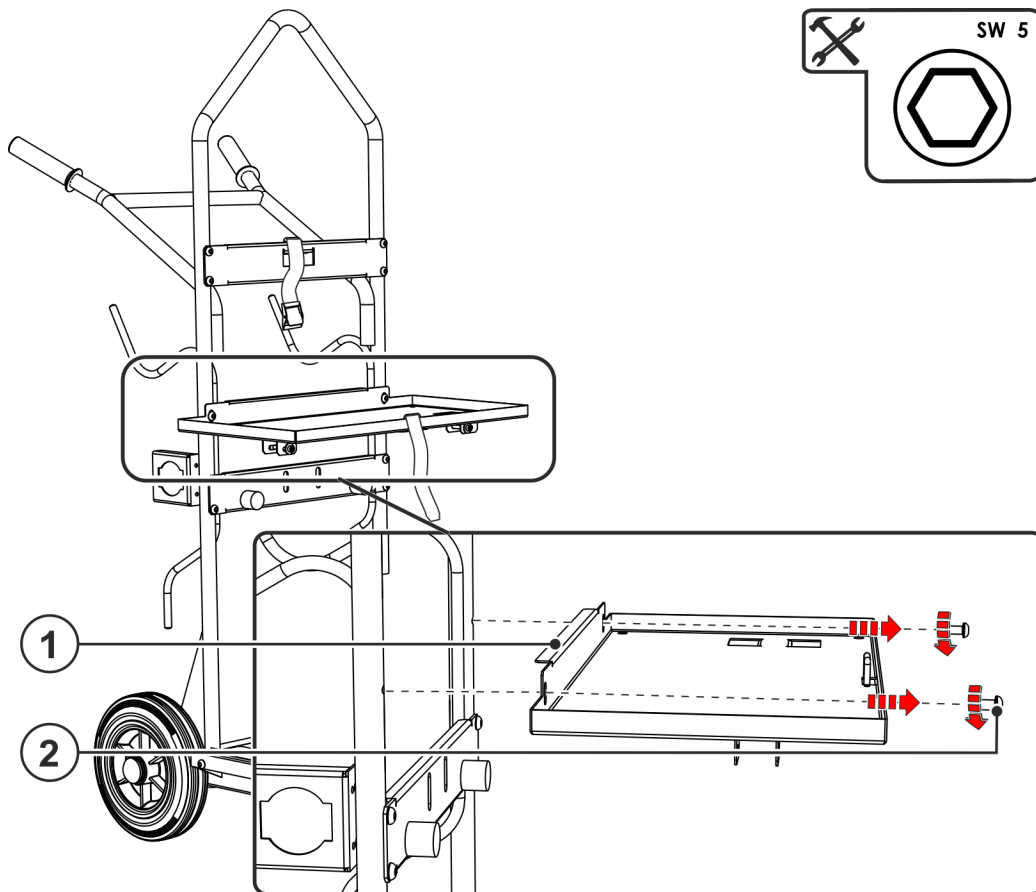


Figure 5-3

Item	Symbol	Description
1		Machine support Holder of the wire feeder.
2		Retaining bolt

- Remove fastening screws with wire feeder machine support.

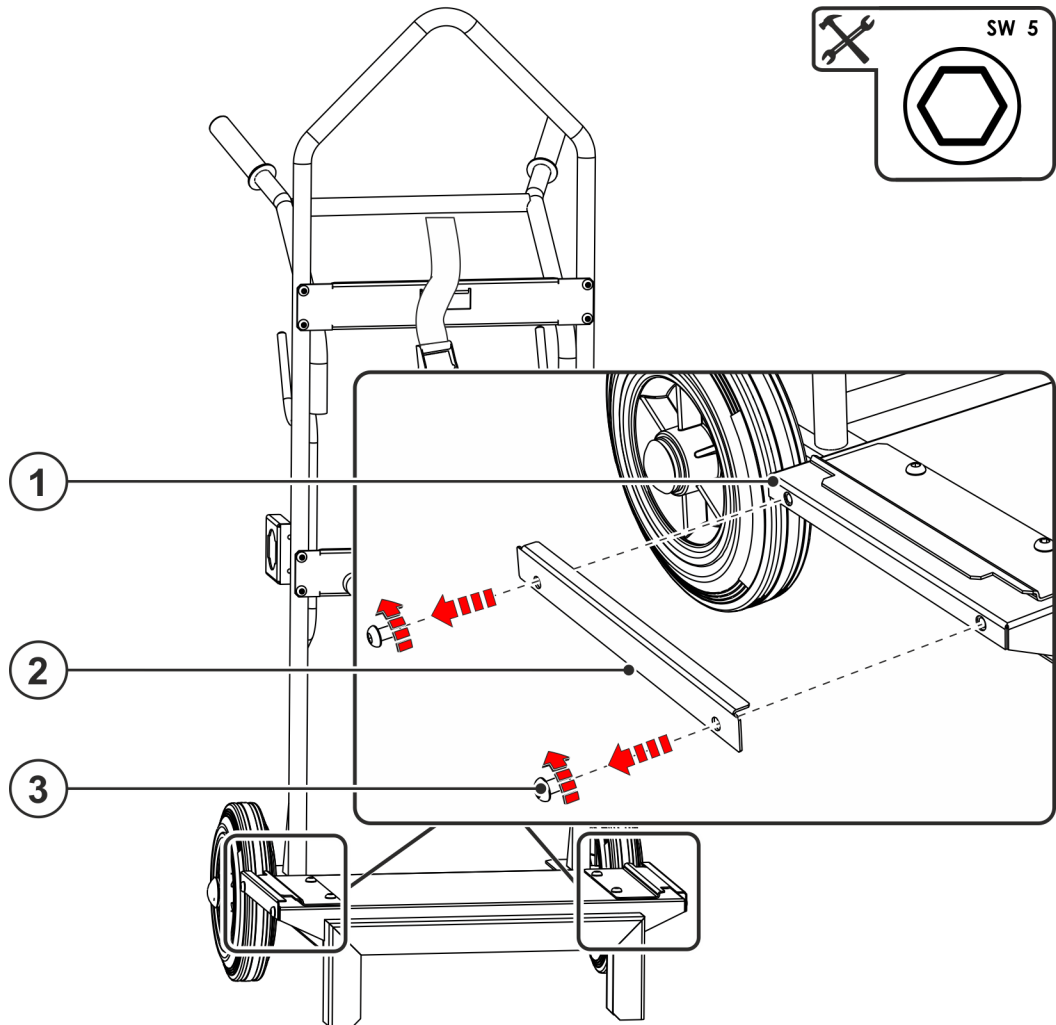


Figure 5-4

Item	Symbol	Description
1		Machine carrier plate To support the welding machine.
2		Machine mounting attachment
3		Retaining bolt

- Disassemble machine mounting attachment with fastening material from welding machine support.

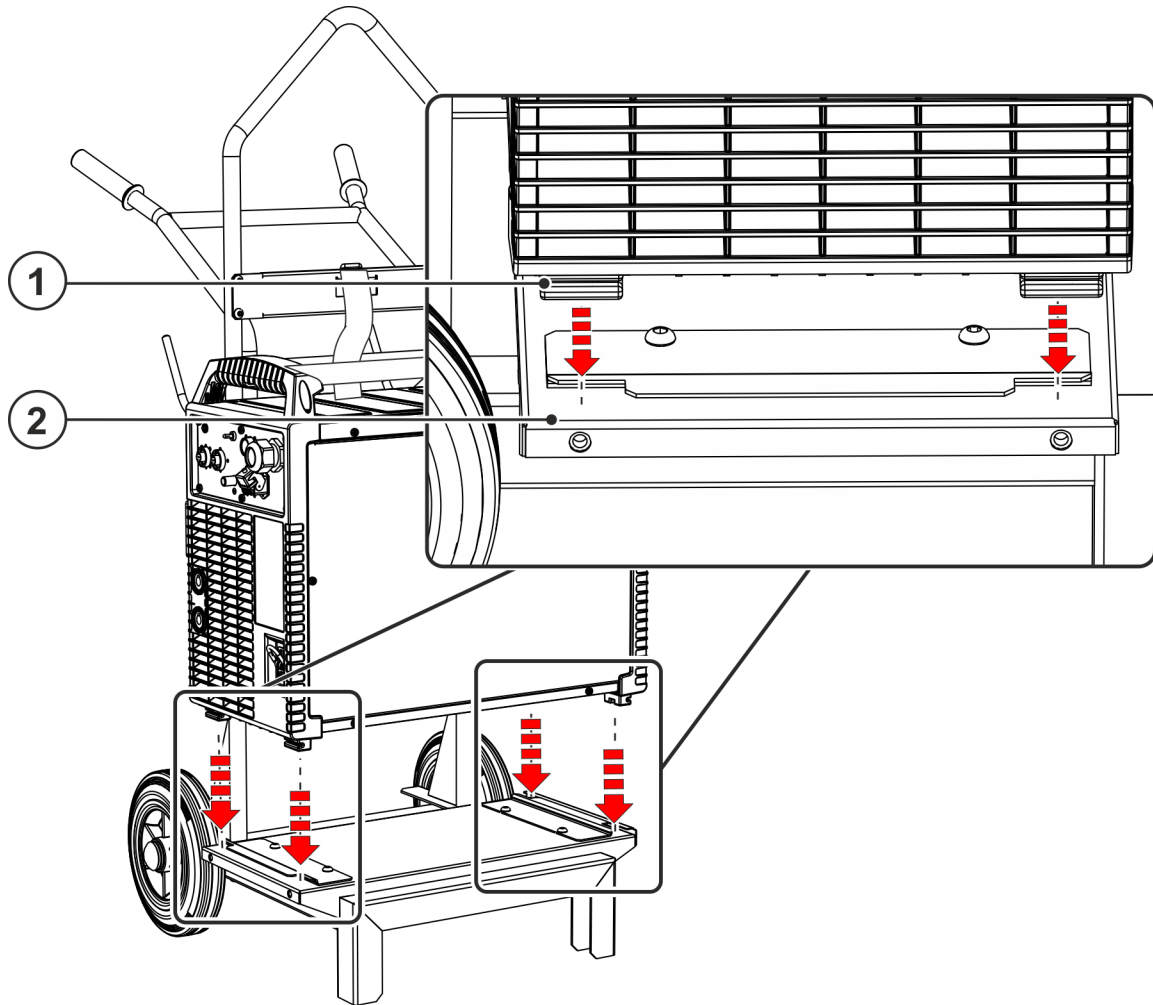


Figure 5-5

Item	Symbol	Description
1		Machine feet
2		Machine carrier plate To support the welding machine.

- Place the machine with its feet in the recesses provided.

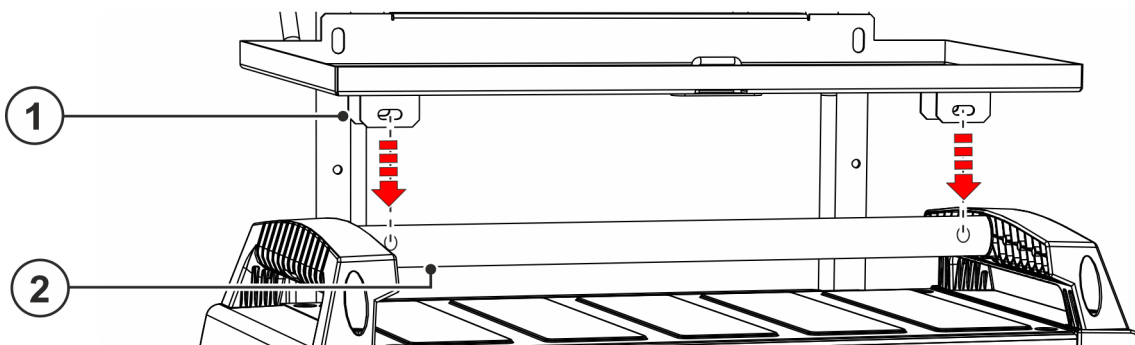


Figure 5-6

Item	Symbol	Description
1		Machine support Holder of the wire feeder.
2		Transport bar

- Position the wire feeder machine support on transport bar.

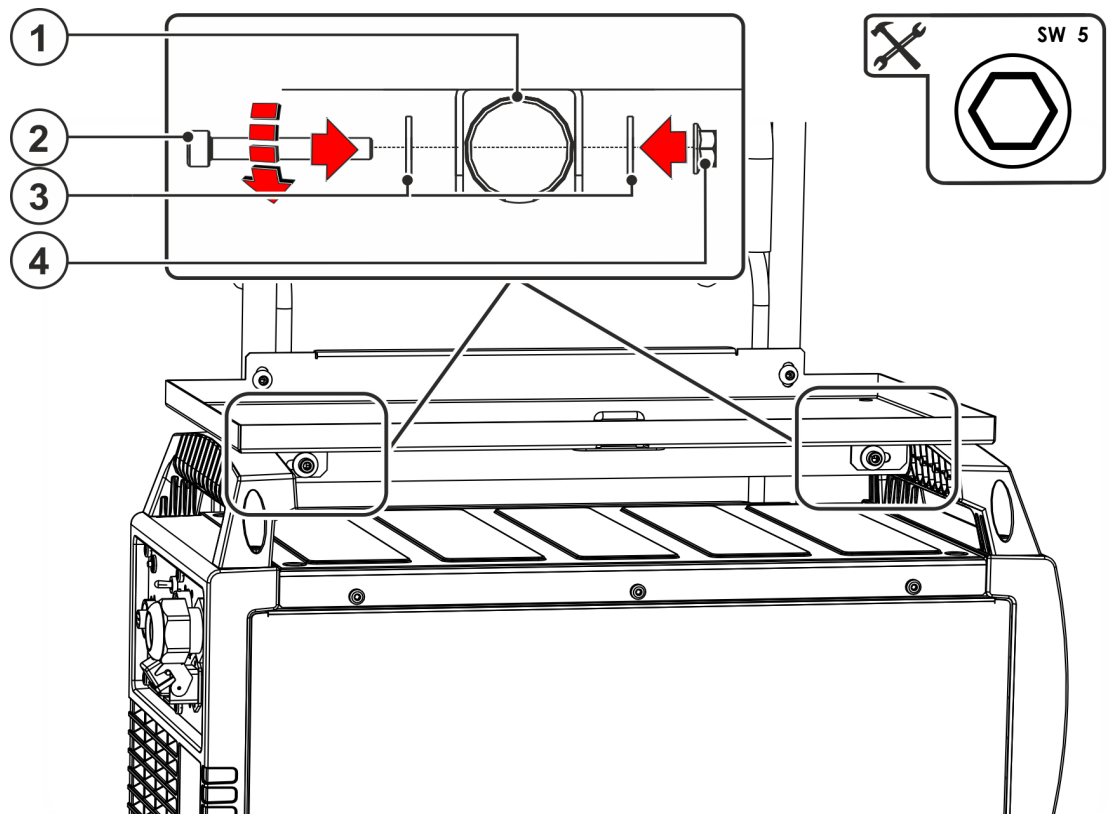


Figure 5-7

Item	Symbol	Description
1		Transport bar
2		Allen screw
3		Plain washer
4		Hexagon nut

- Mount transport bar with fastening material and wire feeder machine support.

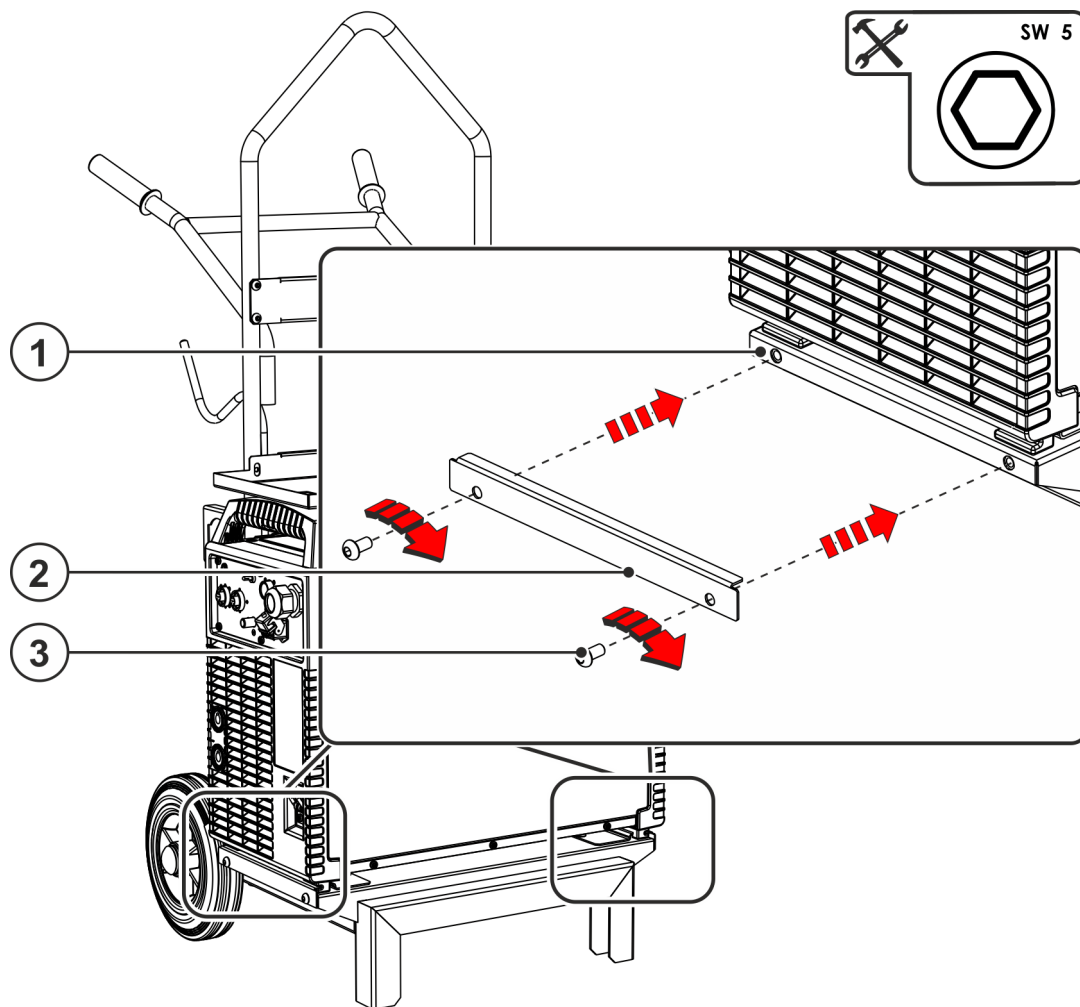


Figure 5-8

Item	Symbol	Description
1		Machine carrier plate To support the welding machine.
2		Machine mounting attachment
3		Retaining bolt

- Mount the machine mounting attachment with fastening screws on the welding machine support.

5.1.2.2 Wire feed unit

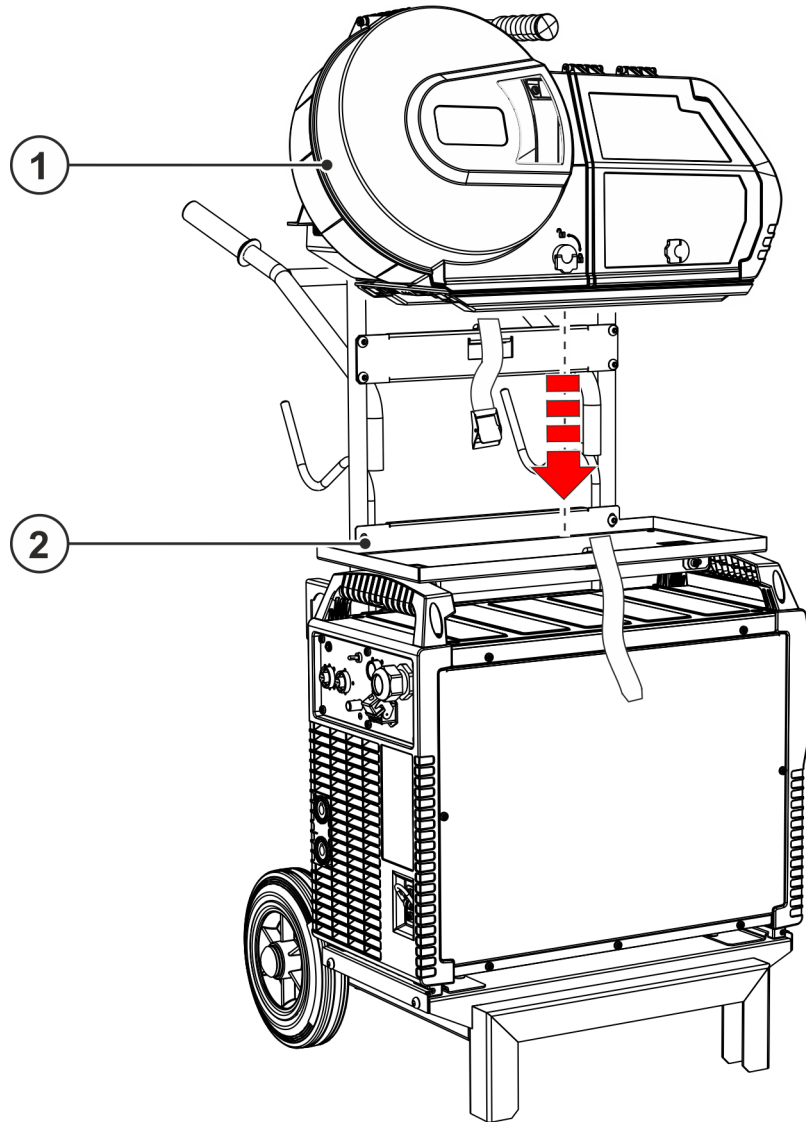


Figure 5-9

Item	Symbol	Description
1		Wire feed unit
2		Machine support Holder of the wire feeder.

- Place the wire feeder onto the machine carrier plate.

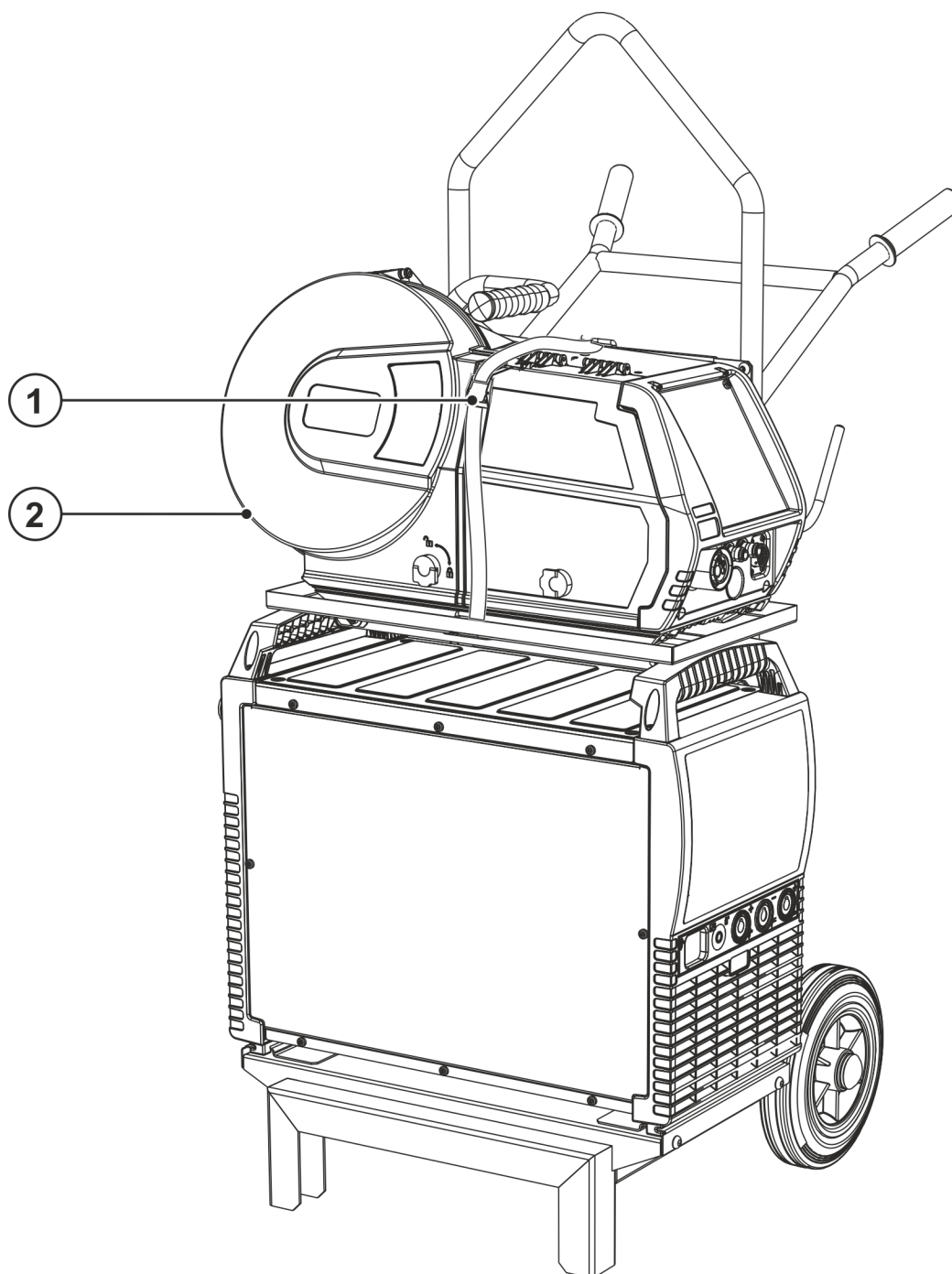


Figure 5-10

Item	Symbol	Description
1		Clamping belt
2		Wire feed unit

- Securely fix the machine using the strap.

5.1.3 Intermediate hose package strain relief



Missing or incorrectly fitted strain relief!

Connection sockets or connection plugs on the machine, or the intermediate tube package, may be damaged if the strain relief is missing or incorrectly fitted. The strain relief takes the strain from cables, plugs and sockets.

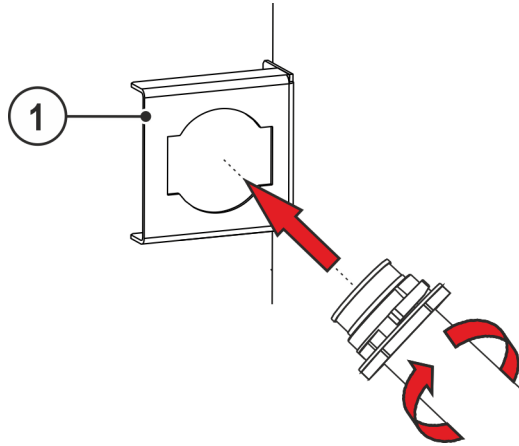


Figure 5-11

Item	Symbol	Description
1		Intermediate hose package strain relief

- Insert the end of the hose package through the strain relief of the hose package and lock by turning to the right.

5.1.4 Hose package holder

 *The images show an example of the winding of the hose packages.*

5.1.4.1 Winding the welding torch hose package

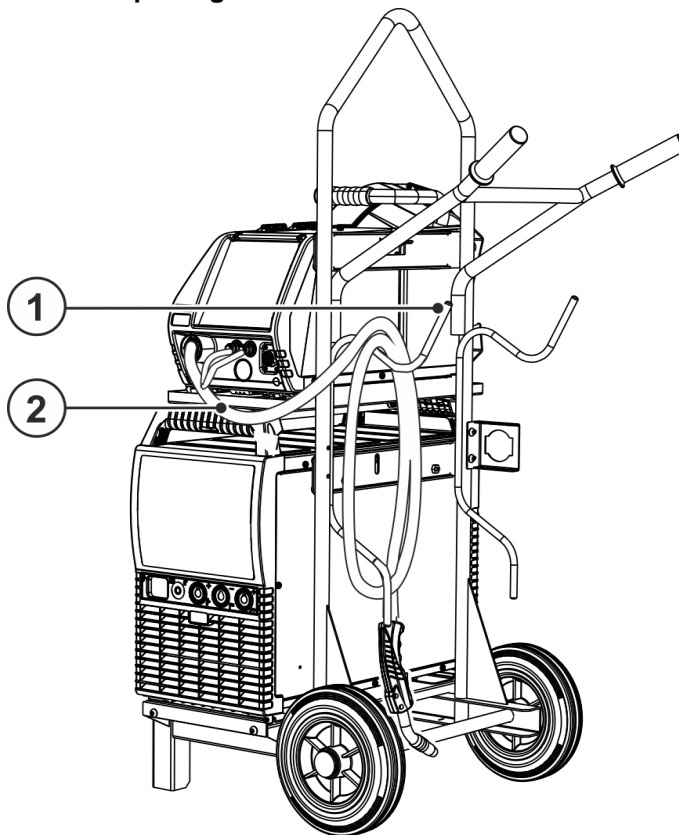


Figure 5-12

Item	Symbol	Description
1		Bracket for cables and hoses (opposite mounting)
2		Welding torch hose package

5.1.4.2 Winding the intermediate hose package

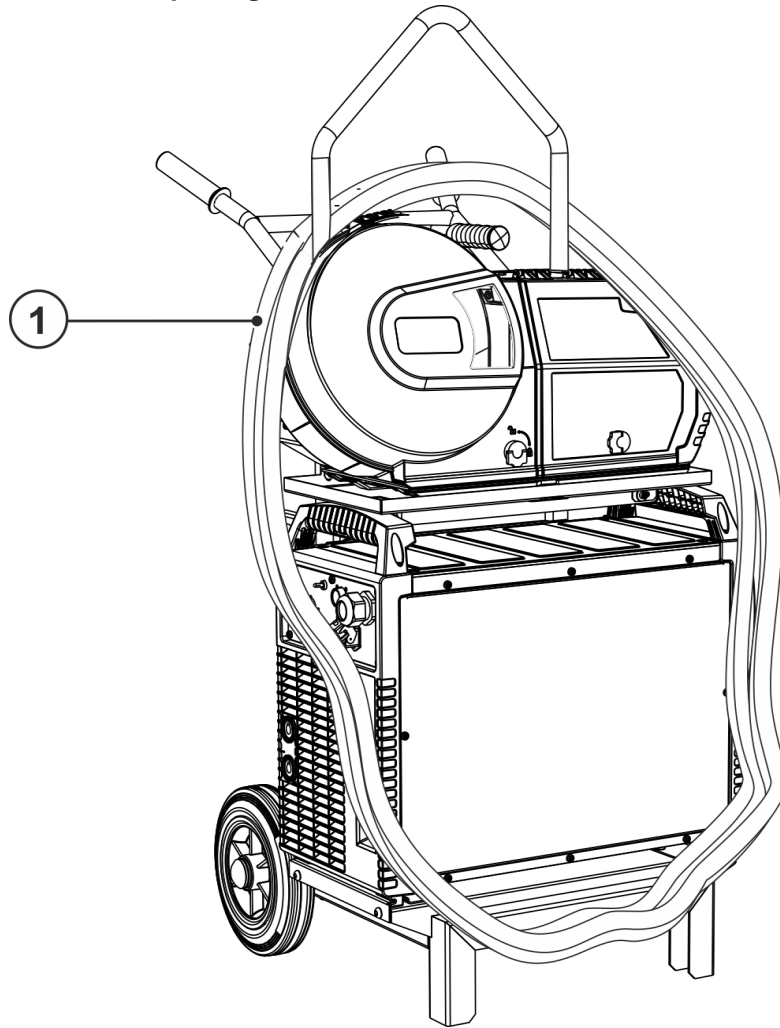


Figure 5-13

Item	Symbol	Description
1		Intermediate hose package

5.2 Using the transport system

⚠ CAUTION



Improperly secured equipment!

Equipment, equipment combinations and accessories incorrectly fastened onto transport systems can tip over during transport and cause injuries!

- Only used the original parts supplied to fasten the equipment.
- Use the systems only for transporting the machines > see 3.2 chapter.
- Check the fixing points before each transport and at regular intervals.

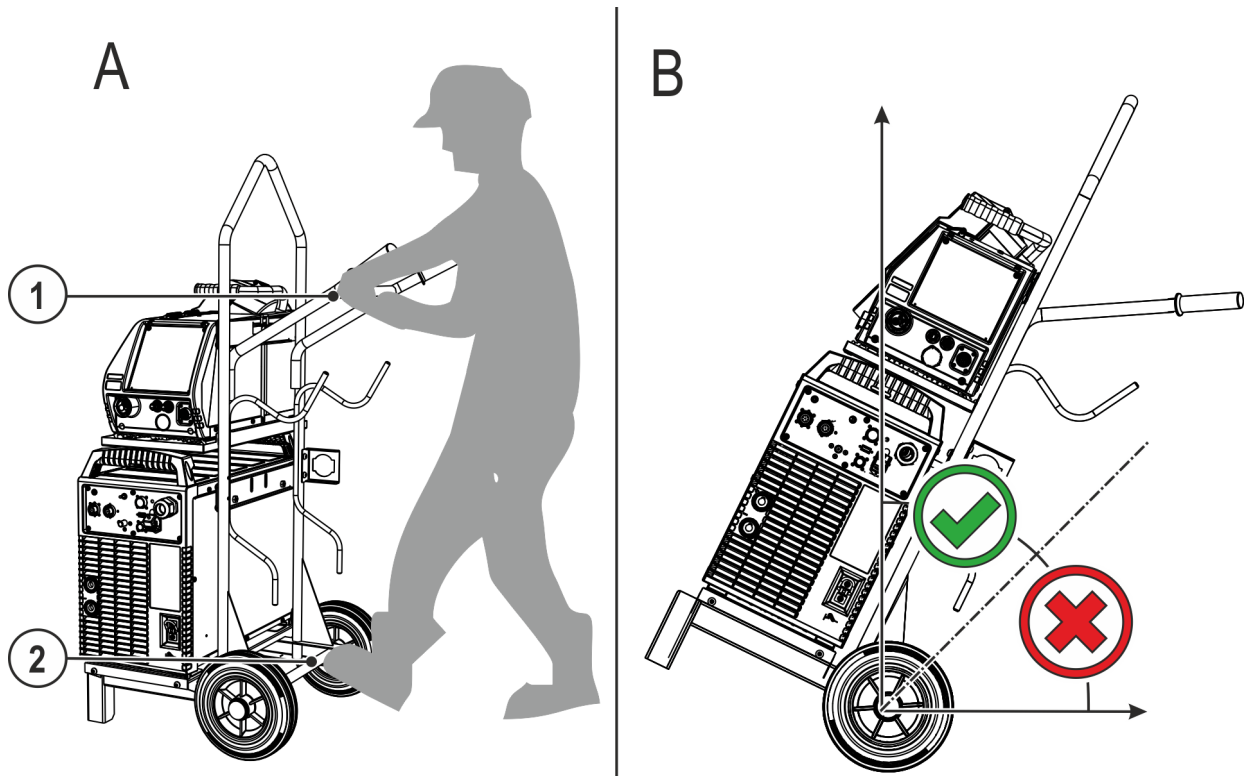


Figure 5-14

Item	Symbol	Description
1		Carrying handle
2		Axle

- Hold the trolley by the transport handle.
- Secure the trolley at the axle with your foot.
- Tilt the trolley at an angle of 40° to move it.

6 Maintenance, care and disposal

6.1 General

DANGER



Risk of injury due to electrical voltage after switching off!

Working on an open machine can lead to fatal injuries!

Capacitors are loaded with electrical voltage during operation. Voltage remains present for up to four minutes after the mains plug is removed.

1. Switch off machine.
2. Remove the mains plug.
3. Wait for at least 4 minutes until the capacitors have discharged!

WARNING



Incorrect maintenance, testing and repair!

Maintenance, testing and repair of the machine may only be carried out by skilled and qualified personnel. A qualified person is one who, because of his or her training, knowledge and experience, is able to recognise the dangers that can occur while testing welding power sources as well as possible subsequent damage, and who is able to implement the required safety procedures.

Observe the maintenance instructions > see 6.2 chapter.

- In the event that the provisions of one of the below-stated tests are not met, the machine must not be operated again until it has been repaired and a new test has been carried out!

Repair and maintenance work may only be performed by qualified authorised personnel; otherwise the right to claim under warranty is void. In all service matters, always consult the dealer who supplied the machine. Return deliveries of defective equipment subject to warranty may only be made through your dealer. When replacing parts, use only original spare parts. When ordering spare parts, please quote the machine type, serial number and item number of the machine, as well as the type designation and item number of the spare part.

Under the specified ambient conditions and normal working conditions this machine is essentially maintenance-free and requires just a minimum of care.

Contamination of the machine may impair service life and duty cycle. The cleaning intervals depend on the ambient conditions and the resulting contamination of the machine. The minimum interval is every six months.

6.1.1 Cleaning

- Clean the outer surfaces with a moist cloth (no aggressive cleaning agents).
- Purge the machine venting channel and cooling fins (if present) with oil- and water-free compressed air. Compressed air may overspeed and destroy the machine fans. Never direct the compressed air directly at the machine fans. Mechanically block the fans, if required.
- Check the coolant for contaminants and replace, if necessary.

6.1.2 Dirt filter

The duty cycle of the welding machine decreases as an effect of the reduced cooling air volume. The dirt filter must be removed at regular intervals and cleaned by blowing out with compressed air (depending on the level of soiling).

6.2 Maintenance work, intervals

6.2.1 Daily maintenance tasks

Visual inspection

- Mains supply lead and its strain relief
- Gas cylinder securing elements
- Check hose package and power connections for exterior damage and replace or have repaired by specialist staff as necessary!
- Gas tubes and their switching equipment (solenoid valve)
- Check that all connections and wearing parts are hand-tight and tighten if necessary.
- Check correct mounting of the wire spool.
- Wheels and their securing elements
- Transport elements (strap, lifting lugs, handle)
- Other, general condition

Functional test

- Operating, message, safety and adjustment devices (Functional test)
- Welding current cables (check that they are fitted correctly and secured)
- Gas tubes and their switching equipment (solenoid valve)
- Gas cylinder securing elements
- Check correct mounting of the wire spool.
- Check that all screw and plug connections and replaceable parts are secured correctly, tighten if necessary.
- Remove any spatter.
- Clean the wire feed rollers on a regular basis (depending on the degree of soiling).

6.2.2 Monthly maintenance tasks

Visual inspection

- Casing damage (front, rear and side walls)
- Wheels and their securing elements
- Transport elements (strap, lifting lugs, handle)
- Check coolant tubes and their connections for impurities

Functional test

- Selector switches, command devices, emergency stop devices, voltage reducing devices, message and control lamps
- Check that the wire guide elements (inlet nipple, wire guide tube) are fitted securely.
- Check coolant tubes and their connections for impurities
- Check and clean the welding torch. Deposits in the torch can cause short circuits and have a negative impact on the welding result, ultimately causing damage to the torch.

6.2.3 Annual test (inspection and testing during operation)

A periodic test according to IEC 60974-4 "Periodic inspection and test" has to be carried out. In addition to the regulations on testing given here, the relevant local laws and regulations must also be observed.

For more information refer to the "Warranty registration" brochure supplied and our information regarding warranty, maintenance and testing at www.ewm-group.com!

6.3 Disposing of equipment



Proper disposal!

The machine contains valuable raw materials, which should be recycled, and electronic components, which must be disposed of.

- **Do not dispose of in household waste!**
- **Observe the local regulations regarding disposal!**
- According to European provisions (Directive 2012/19/EU on Waste of Electrical and Electronic Equipment), used electric and electronic equipment may no longer be placed in unsorted municipal waste. It must be collected separately. The symbol depicting a waste container on wheels indicates that the equipment must be collected separately.
This machine has to be disposed of, or recycled, in accordance with the waste separation systems in use.
- According to German law (law governing the distribution, taking back and environmentally correct disposal of electric and electronic equipment (ElektroG)), used machines are to be placed in a collection system separate from unsorted municipal waste. The public waste management utilities (communities) have created collection points at which used equipment from private households can be disposed of free of charge.
- Information about returning used equipment or about collections can be obtained from the respective municipal administration office.
- In addition to this, returns are also possible throughout Europe via EWM sales partners.



7 Technical data

7.1 Trolley Y / Trolley 35-6

Dimensions (L x W x H)	820 x 640 x 1385 mm
	32.3 x 25.2 x 54.5 inch
Weight without accessories	21 kg
	46.3 lb
Standards used	See declaration of conformity (appliance documents)

8 Appendix A**8.1 Searching for a dealer**

Sales & service partners
www.ewm-group.com/en/specialist-dealers



"More than 400 EWM sales partners worldwide"